

## Ecostat E

### Shower thermostat for exposed installation

Surface: **Chrome** Article Number: **15773000**



#### Description

##### product features

- 1 function
- thermostat cartridge
- material handles: metal
- CoolContact thermostat: Prevents the housing from heating up, making showering even safer
- EcoStop button limits the water consumption to 9 l/min
- maximum flow rate at 3 bar: 28,6 l/min
- min. operating pressure: 1 bar
- max. operating pressure: 10 bar
- safety stop at 40 °C
- temperature limitation adjustable
- with isolated water conduction
- non-return valve
- with silencer
- suitable for continuous flow water heaters
- connection type: s-shaped connections
- centre distance: 150 ± 12 mm
- connection dimension: G ½
- dirt filter included

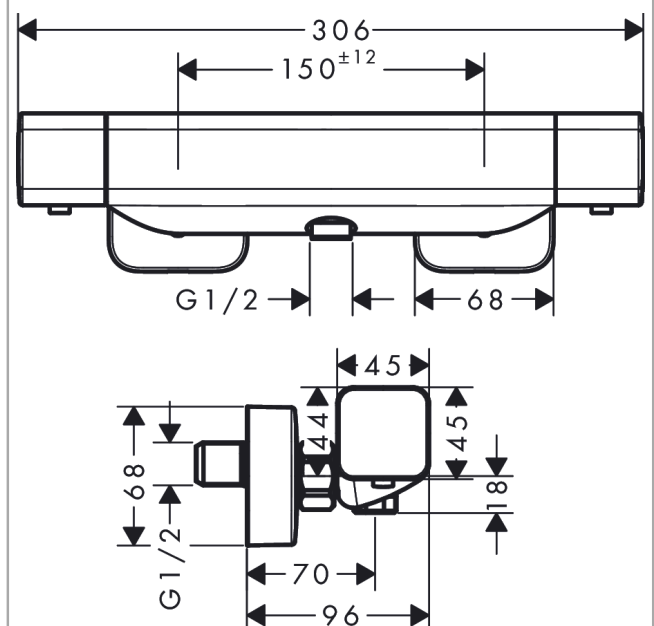
#### Technology



#### Product image



#### Scale drawing



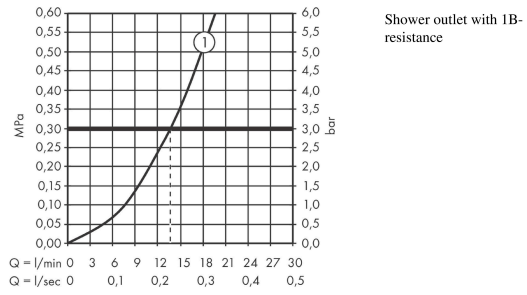
**Ecostat E**

**Shower thermostat for exposed installation**

Surface: **Chrome** Article Number: **15773000**



**Flowchart**

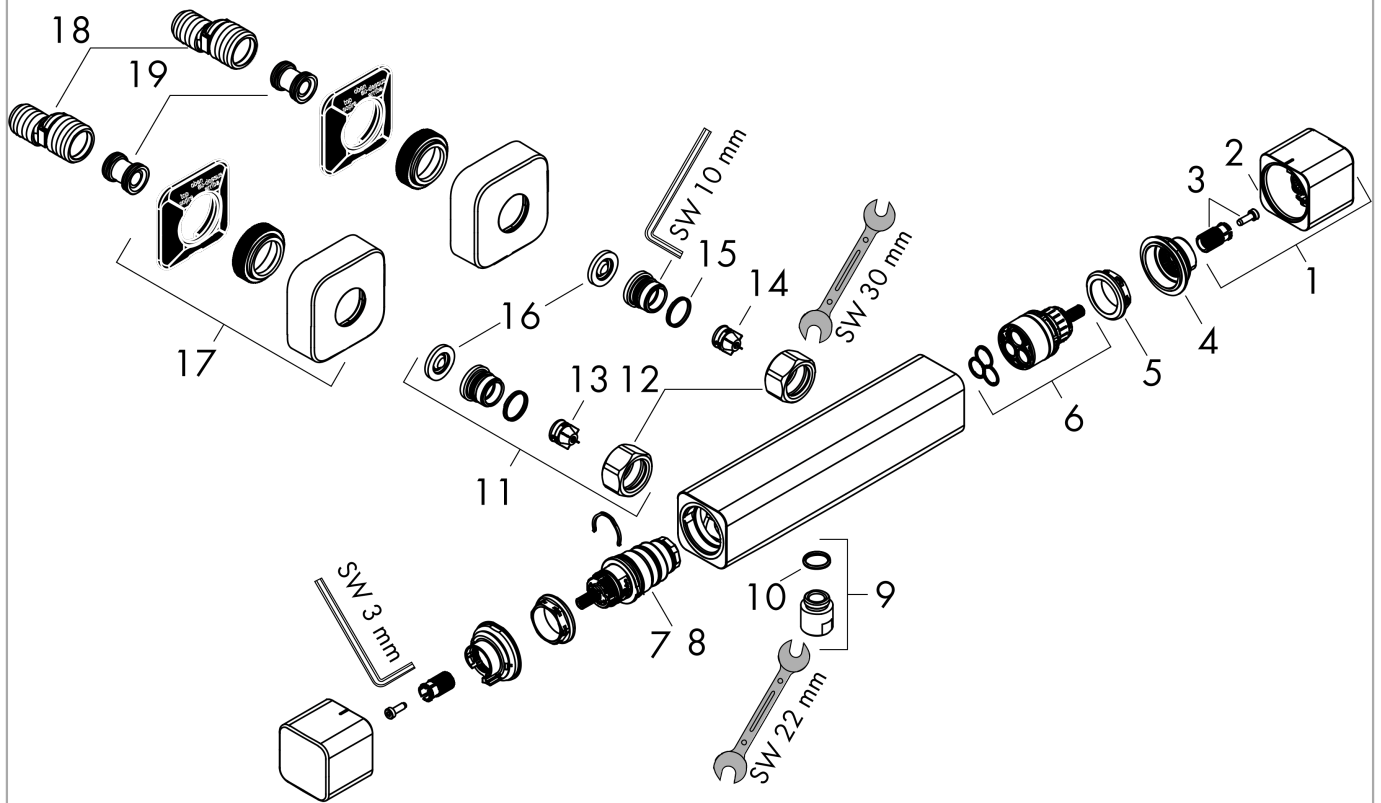


**Ecostat E**  
**Shower thermostat for exposed installation**  
 Surface: **Chrome** Article Number: **15773000**



**Exploded Drawing**

Year of production: >08/19



## Ecostat E

### Shower thermostat for exposed installation

Surface: **Chrome** Article Number: **15773000**



#### Spare part list

Year of production: >08/19

| Pos. | Description                                       | Article Number | Price    | PU |
|------|---|----------------|----------|----|
| 1    | handle  | 93520000       | € 88,54  | 1  |
| 2    | pushbutton  | 92848000       | € 5,36   | 1  |
| 3    | handle fixing set                                 | 93228000       | € 8,69   | 1  |
| 4    | safety set  | 93519000       | € 3,33   | 1  |
| 5    | nut   | 98913000       | € 18,80  | 1  |
| 6    | shut off unit                                     | 95800000       | € 58,67  | 1  |
| 7    | thermostat cartridge                              | 98282000       | € 103,17 | 1  |
| 8    | cartridge for exchanged connections               | 92373000       | € 256,68 | 1  |
| 9    | connecting thread                                 | 95392000       | € 18,80  | 1  |
| 10   | O-ring 14x2                                       | 98129000       | € 3,33   | 1  |
| 11   | set of unions                                     | 94285000       | -        | 1  |
| 12   | set of nuts                                       | 96157000       | € 28,92  | 1  |
| 13   | non return valve (pressure-resistant up to 2 MPa) | 93136000       | € 28,92  | 1  |
| 14   | non return valve                                  | 96737000       | € 28,92  | 1  |
| 15   | O-ring 17x1,5                                     | 98137000       | € 3,33   | 1  |
| 16   | filter packing                                    | 96922000       | € 8,69   | 1  |
| 17   | escutcheon  | 93518000       | € 22,97  | 1  |
| 18   | set of S-unions (±12 mm)                          | 94140000       | € 45,82  | 1  |
| 19   | noise reduction                                   | 96429000       | € 5,36   | 1  |